



SAFE

24 V
VIRTUAL
ENCODER

ROBUST



VERSATILE



Ditec Arc

EN

Automation with arm for swing gates
with up to 5 m single gate

Ditec Arc

Easy to install and versatile, for swing gates with doors up to 5 metres
For heavy duty

Versatile

Ditec Arc allows easy installation, can move even very large wings, and is available with 24 V DC power supply, ensuring high operating safety.

Ensures long-lasting operational reliability

Ditec Arc key release system is easy to access. In case of power failure, the 24 V DC version ensures some emergency automatic operations, taking the necessary power supply from the battery (optional).

The ABS casing offers a greater resistance to atmospheric agents.

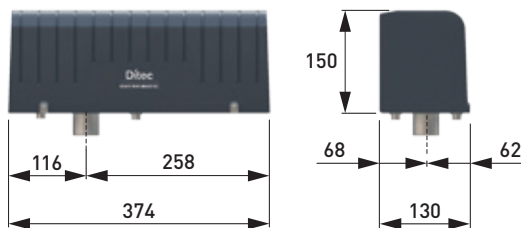
Accessories

- Key operated handle with 5 m remote release cord
- Limit switch unit
- Internal and external battery for VIVA H control panel
- Gear motor side fastening plate
- Adjustable stop

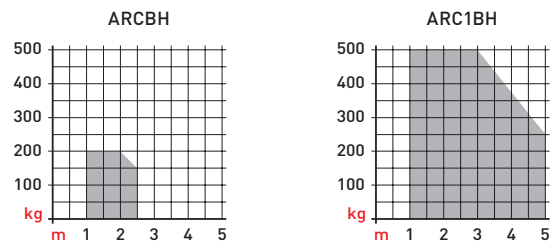


Product range	
ARCBH	up to 2.5 m
ARC1BH	up to 5 m

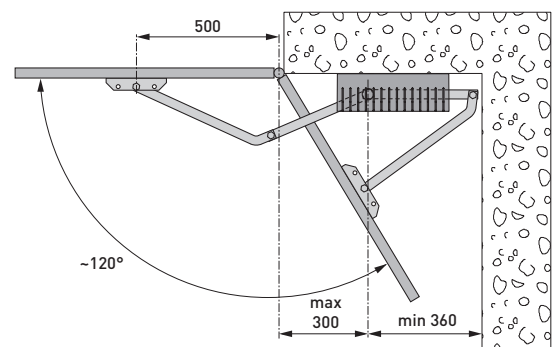
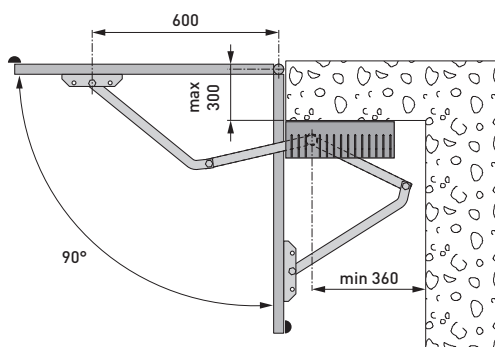
Dimensions



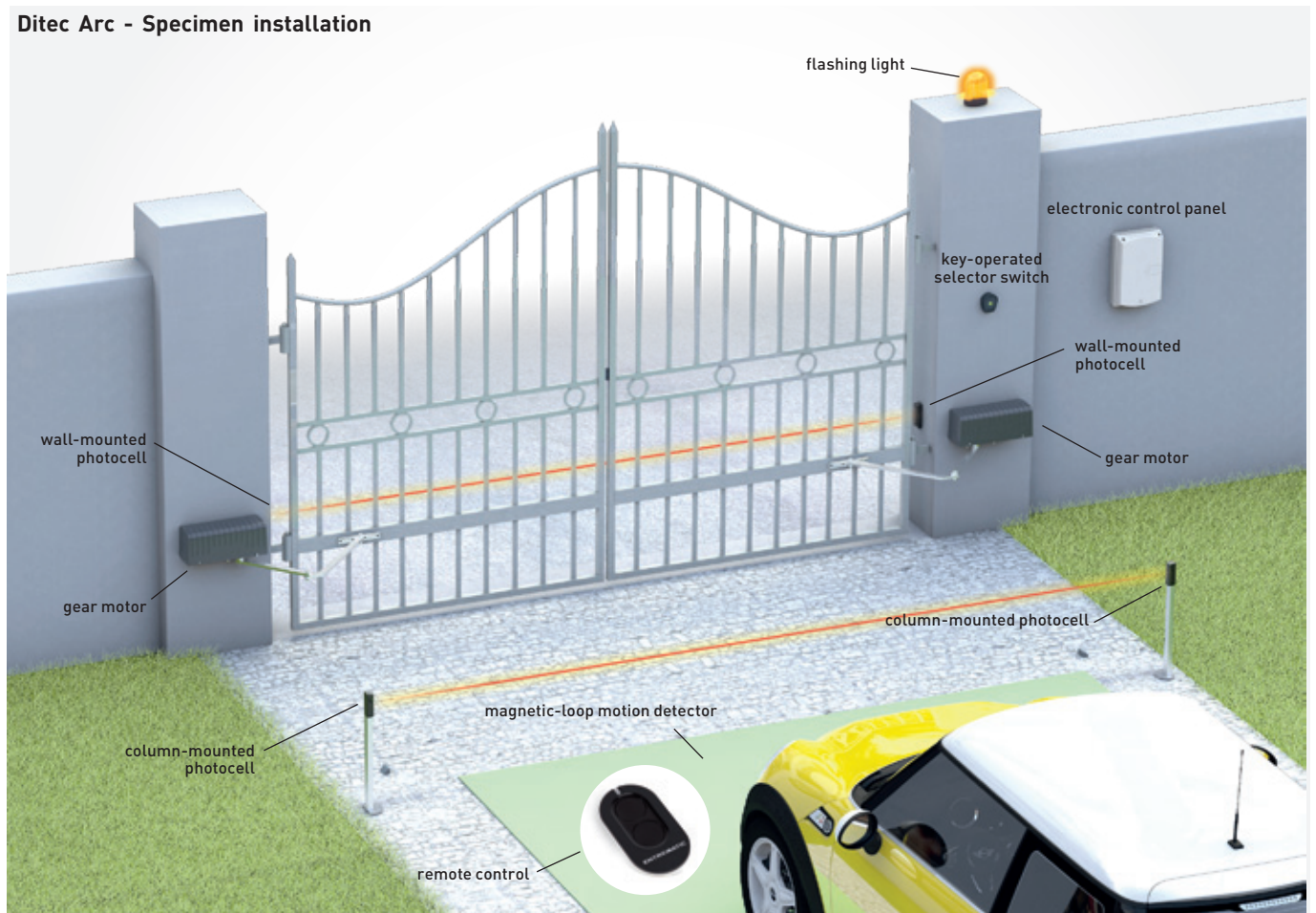
Operation limits



Charts



Example of installation and technical characteristics



Technical specifications

Description	Arc BH	Arc 1BH
Electromechanical actuator	irreversible for up to 2.5 m wide wing	irreversible for up to 5 m wide wing
Stroke control	rotary limit switch (optional)	rotary limit switch (optional)
Maximum capacity	200 kg x 2 m 150 kg x 2.5 m	500 kg x 3 m 250 kg x 5 m
Service index	4 - intensive	4 - intensive
Intermittent operation	S2 = 30 min S3 = 50%	S2 = 30 min S3 = 50%
Power absorption	24 V DC	24 V DC
Power input	3 A	12 A
Torque	150 Nm	300 Nm
Opening time	12÷100 s/90°	09÷50 s/90°
Actuator maximum opening	130°	130°
Release system for manual opening	key-operated	key-operated
Operating temperature	-20°C / +55°C [-35°C / +55°C with NIO enabled]	-20°C / +55°C [-35°C / +55°C with NIO enabled]
Protection level	IP 54	IP 54
Product dimensions (mm)	374x130x150	374x130x150
Control panel	LCU30H LCU40H	LCU40H

	Arc BH	Arc BH, Arc 1BH
TECHNICAL FEATURES		
Control panel	LCU30H for 1 or 2 24 V DC motors with built-in radio	LCU40H for 1 or 2 24 V DC motors with built-in radio
433MHz/868MHz interchangeable receiver module	■	■
Number of motors	1 or 2	1 or 2
Mains power supply	230 V - 50/60 Hz	230 V - 50/60 Hz
Motor power supply	24 V DC / 2 x 6 A	24 V DC / 2 x 12 A
Accessories power supply	24 V DC/0.3 A (0.5 A max.)	24 V DC / 0.5 A
Operating temperature	-20°C / + 55°C in standard conditions / -35°C / +55°C with NIO enabled	-20°C / + 55°C in standard conditions / -35°C / +55°C with NIO enabled
Control panel protection level	IP55	IP55
Control panel dimensions (mm)	187x261x105	238x357x120
INPUTS		
Opening control	Shared with inching control, selected via display	■
Partial opening control	■	■
Close control	Shared with emergency stop, which can be selected from the display	■
	■ via radio or shared with partial opening control, which can be selected from the display	
Stop control	■	■
Inching control	■	■
Hold-to-run control	■ selected via display	■
OUTPUT		
Flashing light	24 V DC	24 V DC
Electrically operated lock	12 V DC / 15 W	12 V DC / 15 W
Gate-open warning light (ON/OFF)	■ shared with electrically operated lock or flashing light	■
Gate-open warning light with proportional blink rate	■ shared with electrically operated lock or flashing light	■
Courtesy light	■ shared with electrically operated lock or flashing light	■ shared with electrically operated lock or flashing light
PROGRAMMABLE FUNCTIONS		
Force adjustment	Electronic	Electronic
Speed setting	■	■
Soft Start/Soft Stop	Adjustable	Adjustable
Braking/Slowing down	Adjustable	Adjustable
Stop approach	Adjustable	Adjustable
Operation time	Adjustable	Adjustable
Automatic re-closing time	Adjustable	Adjustable
Integrated datalogging (counters and recent alarm history)	■ can be viewed on display	■ can be viewed on display and on a PC with Amigo SW
Extended datalogging with micro SD (in-depth records for every event)		■ can be viewed on a PC Amigo SW
FW update	■ using DMCS and Amigo SW	■ with micro USB and Amigo SW or MicroSD
SAFETY AND PROTECTION FUNCTIONS		
Emergency stop	■	■
Safe closing (inversion)	■	■
Safety Test Facility (for automatic safety devices)	■	■
ODS - Obstruction Detection System (causes the gate to stop or reverses movement when an obstacle is detected)	■	■
NIO - Antifreeze system	■	■
OPTIONAL ACCESSORIES		
Batteries	■ with SBU	■ with SBU
Possibility of integrated batteries in the control panel		■
Stand-alone solar-power connection	■ with SBU	■ with SBU
Hybrid solar-power connection		■ with SBU
8.2 KΩ-resistance safety edge	■ with accessory	■ with accessory
Magnetic loop detector	■ with LAB9	■ with LAB9



Entrematic Italy S.p.A.

Largo U. Boccioni, 1 · 21040 Origgio (VA) · Italy

Tel +39 02 963911 · Fax: +39 02 9650314

ditec@entrematic.com

www.ditecentrematic.com · www.entrematic.com

Present in: France, Germany, Spain, Turkey and Canada.

For addresses and contact information see our website www.ditecentrematic.com

