



CERTIFIED



INTELLIGENT



SAFE



Ditec TOP

EN

Automation system for garage doors

Ditec TOP

Ditec TOP is a next-generation automation system for garage doors that is powerful, fast, and quiet, produced with high-quality materials. The range includes two different 24 V DC motors for 600 and 1000 N that allow control of doors of up to 210 kg and over 17 m² surface area.



HALVE installation time

- **fast guide assembly and ceiling brackets** guarantee quick and reliable assembly of the automation system
- **self-learning procedure** for installation of the motor in just two operations, assisted by the display, navigation pushbuttons and remote control
- **operating device can be set at 90°** relative to the door opening direction for installation in smaller spaces

AN AUTOMATION SYSTEM with countless advantages

- **the control unit** counts the number of opening/closing cycles and uses the **courtesy light** to tell your customers that the programmed maintenance threshold has been reached
- Ditec TOP **is compatible with side doors**, and thanks to a specific accessory, also **with overhead doors**

GREATER IMPORTANCE PLACED ON THE REQUIREMENTS of your customers

- **fast automation system** that reduces waiting time between opening and closing phases
- **impact-force control** guarantees excellent safety for users
- **rolling code remote controls and irreversible motor** help protect against unauthorised opening
- **external release device with key**, useful in the case of a loss of power

OUR EXPERTISE AT YOUR SERVICE

A complete range. A dedicated team of specialists. Excellent technology and design. Passionate about being different. Entrematic is a commercial partner with a complete range in the entrance-automation sector, which combines specialised know-how and high-profile brands. The Ditec brand, has been a world leader for more than 40 years, offering a complete range of automation systems for gates, automatic doors and rapid doors.

Normstahl
ENTRE/MATIC

DYNACO
ENTRE/MATIC

Ditec
ENTRE/MATIC

em
ENTRE/MATIC

KELLEY
ENTRE/MATIC

SERCO
ENTRE/MATIC

Amarr
ENTRE/MATIC



CERTIFIED

An automation system that meets the **highest safety standards**: not only is it compliant with current European standards, **it is certified by TÜV**, an independent international organisation specialised in assessing technological safety and quality.



INTELLIGENT

Ditec TOP includes a **fast self-learning procedure that automatically records the power input profile**, allowing the motor to self-regulate over time in case of increased friction and wear.

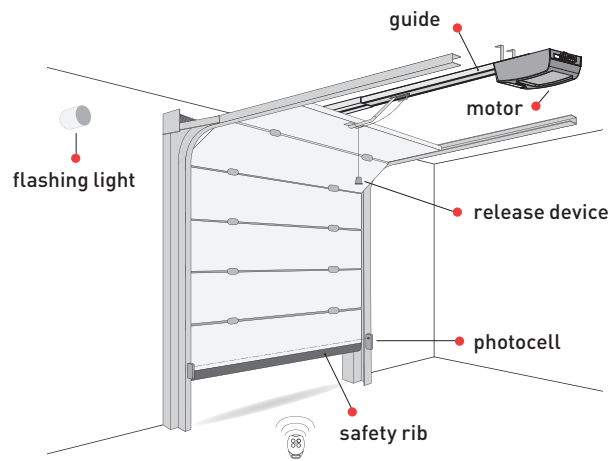


24 V DC

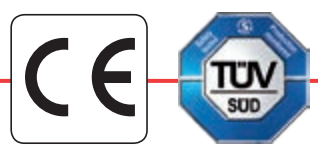
The 24 V DC encoder technology enables constant electronic control of the **impact forces and immediate obstacle detection** ensuring that the operating device is stopped or the motion is inverted (if configured).

Example of installation

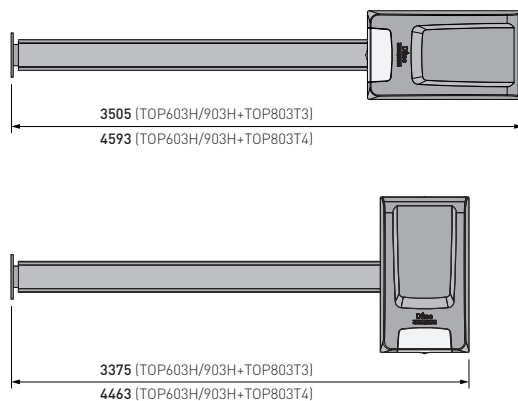
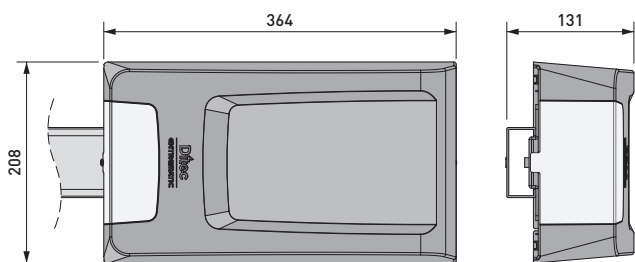
Discover the entire range of Ditec brand products and specific accessories at www.ditecentrematic.com



FULL COMPLIANCE WITH EU DIRECTIVES AND STANDARDS



- 2014/30/EU - EMCD - Electromagnetic Compatibility Directive
- 2014/53/EU - RED - Radio Equipment Directive
- 2006/42/CE - Machines Directive - (Annex II-B; Annex II-A; Annex I-Chapter 1)
- Harmonised EU Standards: EN ISO 13849-1, EN 55014-1, EN 61000-3-2, EN 61000-3-3, EN 60335-1
- Other standards/technical specifications applied: EN 60335-2-95, EN 60335-2-103, EN 55014-2, EN 12453, EN 50366



Technical specifications

Description	Motor TOP603H	Motor TOP903H
Electromechanical actuator	for sectional overhead doors up to 116 kg	for sectional overhead doors up to 210 kg
Transmission system	with belt	with belt
Stroke control	encoder	encoder
Max. leaf weight	9,5 m ²	17,3 m ²
Duty class	3 - frequent	3 - frequent
Intermittent operation	S2 = 5 min - S3 = 25%	S2 = 5 min - S3 = 25%
Power supply	230 V AC / 50/60 Hz	230 V AC / 50/60 Hz
Motor power supply	24 V DC	24 V DC
Torque/Thrust	600 N	1000 N
Power input	140 W	170 W
Opening speed	0.21 m/s	0.21 m/s
Closing speed	0.14 m/s	0.14 m/s
Operating temperature	-20°C / +50°C	-20°C / +50°C
Protection rating	IP 20	IP 20
Noise level	≤ 69 dB (A)	≤ 69 dB (A)
Standard radio frequency	433.92 MHz	433.92 MHz

Description	Guide TOP803T3	Guide TOP803T4
Maximum stroke of carriage	2890 +/- 25 mm	3978 +/- 25 mm
Maximum door height	2450 mm	3500 mm

Main functions of the system

Description	TOP603H	TOP903H
Control panel	integrated	integrated
Integrated courtesy light and supplementary courtesy light (in parallel)	■	■
Flashing light	230 V AC / 50-60 Hz *	230 V AC / 50-60 Hz *
Electro - mechanical lock	■ *	■
ODS - Obstruction Detection System	■	■
Self-learning procedure	■	■
Cycle counter for scheduled maintenance	■	■
Time setting	■	■
Open control	■	■
Partial-opening control (configurable)	■	■
Timer-controlled automatic closing	■	■
Inching control	■	■
Emergency stop and emergency reverse	■	■
Soft start/Soft stop	■	■
Automatic force adjustment during movement	■	■
Safety test function	■	■

* with TOP905AC



Entrematic Italy S.p.A.

Largo U. Boccioni, 1 • 21040 Origgio (VA) • Italy

Tel +39 02 963911 • Fax: +39 02 9650314

ditec@entrematic.com

www.ditecentrematic.com • www.entrematic.com

Cod. N209B - 11/2016
Ditec TOP

RED APPLE INTERNATIONAL

Present in: France, Germany, Spain, Turkey and Canada.

For addresses and contact information see our website www.ditecentrematic.com

